

# Trial-Ready Depositions

Andrew Wiener, writing for Plaintiff Magazine, argues that a trial attorney “must take every deposition as if the witness were at trial.” So why not bring the presentation you would use at trial to your depositions, with a hotseater?

A calm, skilled exhibit technician in the “hot seat” can seamlessly present the evidence supporting your argument—and put your focus solely on the witness and your next question.

## Using Hotseaters in Deposition

**EXHIBIT PRESENTATION EXPERT:** Through your voice prompts, the hotseater will call up the exhibit you request—scrolling, zooming, highlighting, and focusing attention precisely where you want it.

**USING YOUR IDEAL SCREEN CONFIGURATION:** View exhibits, video and realtime in the layout that works best for you.

Draft Contract for Private Entities

Contract No. \_\_\_\_\_

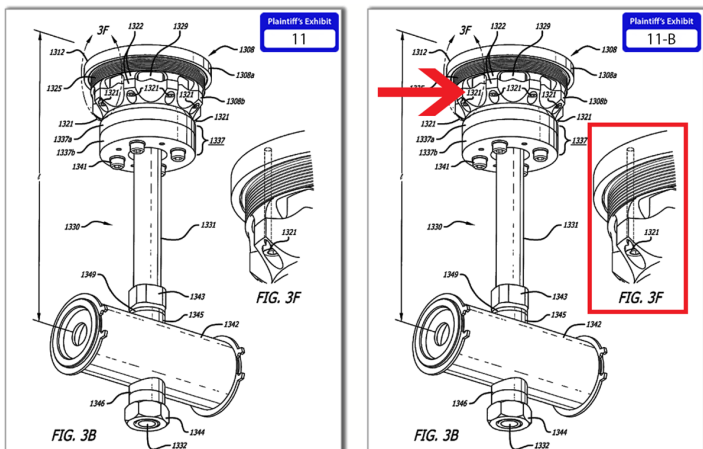
This contract is between the State of North Dakota acting by and through its Industrial Commission, hereafter called Commission, and \_\_\_\_\_ hereafter called Contractor.

- 1. Independent Contractor**  
The Contractor shall perform as an independent entity under this agreement. The Contractor, its employees, agents and representatives are not employees of the Commission. No part of this agreement shall be construed to represent the creation of an employer/employee relationship.
- 2. Statement of Work**  
Contractor agrees to accomplish the following work under this contract. The work to be accomplished is contained in Exhibit A, which is attached to this contract and is made a part of it.
- 3. Funds Available and Authorized**  
Commission certifies at the time the contract is written that sufficient funds are available and authorized for expenditure to finance costs of this contract within the Commission's current appropriation or limitation. It is agreed that in the event the appropriation or funding to the Commission is not obtained and continued at a level sufficient to allow for payments to the Contractor, for the services identified in Paragraph 2, the obligations of each party hereunder terminate upon delivery of written notice to the Contractor.



**CREATE NEW EXHIBITS:** The hotseater can save annotated documents and mark as new exhibits on-the-fly.

**TRIAL-READY PICTURE-IN-PICTURE:** The hotseater can record the video and exhibits separately and create trial-ready picture-in-picture.



MAY 3 2019 10:27:03 AM

Draft Contract for Private Entities

Contract No. \_\_\_\_\_

This contract is between the State of North Dakota acting by and through its Industrial Commission, hereafter called Commission, and \_\_\_\_\_ hereafter called Contractor.

- 1. Independent Contractor**  
The Contractor shall perform as an independent entity under this agreement. The Contractor, its employees, agents and representatives are not employees of the Commission. No part of this agreement shall be construed to represent the creation of an employer/employee relationship.
- 2. Statement of Work**  
Contractor agrees to accomplish the following work under this contract. The work to be accomplished is contained in Exhibit A, which is attached to this contract and is made a part of it.
- 3. Funds Available and Authorized**  
Commission certifies at the time the contract is written that sufficient funds are available and authorized for expenditure to finance costs of this contract within the Commission's current appropriation or limitation. It is agreed that in the event the appropriation or funding to the Commission is not obtained and continued at a level sufficient to allow for payments to the Contractor, for the services identified in Paragraph 2, the obligations of each party hereunder terminate upon delivery of written notice to the Contractor.
- 4. Subject to Contract and Subsequent**  
The Contractor shall not have the authority to contract for or on behalf of any other obligation on behalf of the Commission.

15:22 A. I don't think so, no, not this  
15:23 specific document, definitely not. I don't know  
15:24 if I've ever seen anything like it before either.